



Kumera Power Transmission Group and Marine Division



KUMERA DRIVES OY

Kumerankatu 2
FI-11100 Riihimäki
FINLAND
Tel: +358 20 755 4200
E-mail: drives@kumera.com



KUMERA (CHINA) CO, LTD.

168 Meifeng Road
Kunshan 215300, Jiangsu
CHINA
Tel: +86 512 503 61701
E-mail: kumerachina@kumera.com



KUMERA GETRIEBE GMBH

Bonner Straße 38
D-53842 Troisdorf
GERMANY
Tel: +49 2241 988-0
Email: kumera.getriebe@kumera.com



KUMERA AS

P.O. Box 2043
N-3202 Sandefjord
NORWAY
Tel: +47 33 48 54 54
E-mail: sales@kumera.no



KUMERA ANTRIEBSTECHNIK GMBH

Raiffeisenstrasse 38-40
A-8010 Graz
AUSTRIA
Tel: +43 316 471 524-0
E-mail: kumera.graz@kumera.com



HELSETH AS

Baklivegen 11-13
N-6450 Hjelset
NORWAY
Tel: +47 71 202 900
Email: helseth@helseth.no

Kumera Technology Division & Foundry



KUMERA TECHNOLOGY CENTER
RIIHIMÄKI, FINLAND



KUMERA MACHINERY OY
AKAA, FINLAND

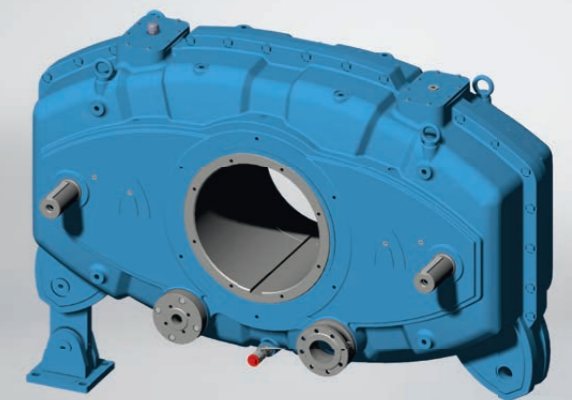


PEIRON OY STEEL FOUNDRY
KOKEMÄKI, FINLAND

K036 ENG 03/2020



Mechanical Power Transmissions For paper industry



Kumera Power-Plaza is the online market place for Kumera mechanical transmission products and associated spare parts. Power-plaza.com speeds up the process of requesting for quotations. www.power-plaza.com

Paper industry

Powerful Drives for Paper, Board and Tissue Making Lines

Kumera Drives is a prominent designer, manufacturer and service provider of mechanical power transmissions. The experience gathered over decades guarantees high expertise and innovative quality products and services for today's paper making industry. Depending on customers' needs, we can offer a product from our standard gear range as well as tailor made solutions just for the special need.

We are working on constant product improvement in close collaboration with our customers, original equipment manufactur-

ers (OEMs), research institutes and end-users. This cooperation enables us to adapt the latest technology and new demands set for power transmissions equipment. A goal for all our operations is to improve the customer's efficiency through innovative power transmission solutions.

Complete Drive Package

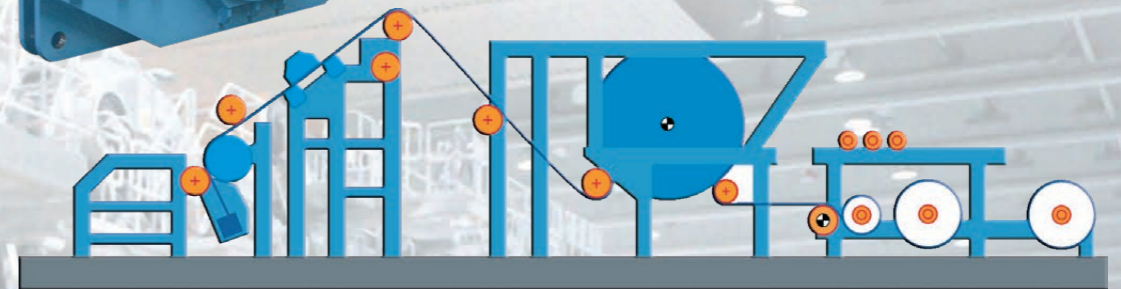
In paper process essential requirements for power transmissions are reliability and usability in order to keep the production running. Kumera Drives' complete

drive system answers to those requirements. Design engineering, drive systems, tailor made replacement gears and modernization projects are our core expertise in power transmissions.

All components in a drive package are integrated into a well-functioning construction. Our delivery includes gear drives, couplings, flexible drive shafts, safety guards and engineering for layout and foundation plates. A customer benefits not only high-quality products but also complete gear service, application expertise and flexibility in engineering.

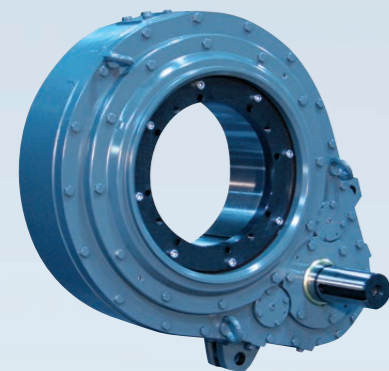


Yankee cylinder drives
 Nominal output torque max 350 000 Nm
 Gear ratio 2,5 - 70
 Hollow shaft diameter 200 - 600 mm

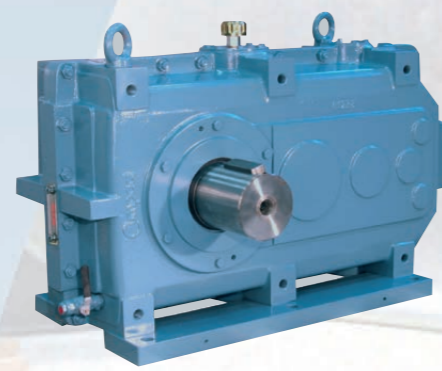


Forming section **Dryer section** **Reeling section**

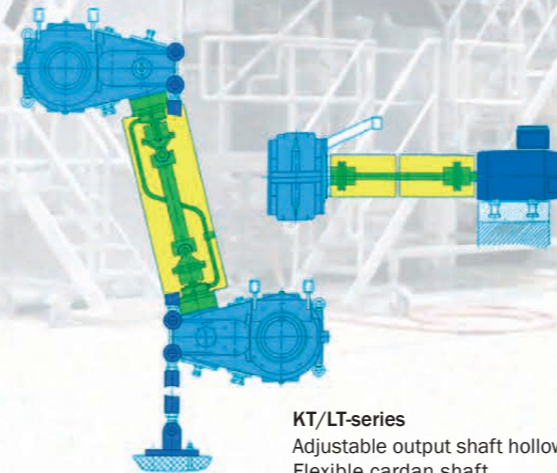
Forming roll LX-series **Dryer cylinder** Yankee cylinder gear units
Sunday drive LF-series **Reel drum** LX-series



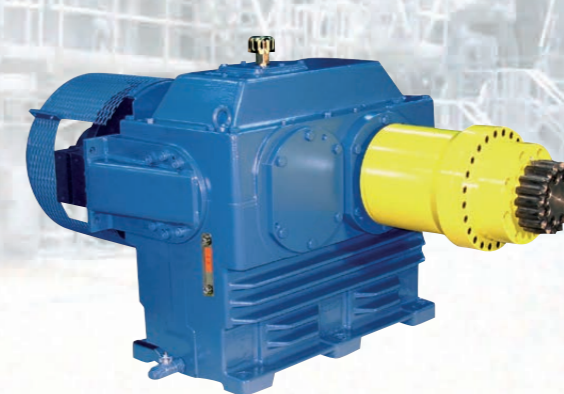
TP-series
 Output torque max 22,4 kNm
 Gear ratio 2,5 - 5,5



LG-series
 Output torque max 100 kNm
 Gear ratio 5,6 - 630



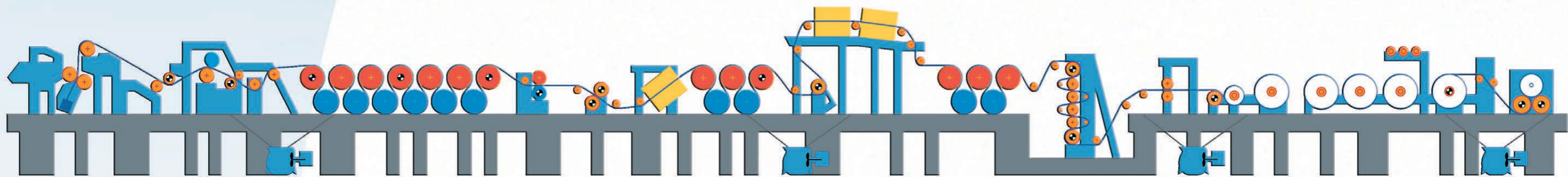
KT/LT-series
 Adjustable output shaft hollow
 Flexible cardan shaft



LPU-series
 Output torque max 173 kNm
 Gear ratio 1 - 6,3



LX-series
 Output torque max 195 kNm
 Gear ratio 1 - 6,3



| Forming section | Press section | Dryer section | Calander | Sizer | Dryer section | Coating machine | Dryer section | Multi-nip calander | Reeling section | Winder section |
|--|---|---|---|--------------------------|--|---------------------|--|---|---------------------|---|
| Suction rolls TPS-series LX-series | Suction rolls TPS-series Deflection compensation rolls TPZ-series Pulper LX-series | Dryer cylinders TPD-series KT/LT-series VAC rolls TPV-series Vacuum Pumps LX-series | Deflection compensation rolls TPZ-series | Sizer rolls LX-series | Dryer cylinders TPD-series KT/LT-series VAC rolls TPV-series | Pulper LX-series | Dryer cylinders TPD-series KT/LT-series VAC rolls TPV-series | Deflection compensation rolls TPZ-series | Pulper LX-series | Jumbo roll couplings Unwind section LPU-series LPW-series Wind up section LX-series Pulper LX-series |